

Cargo Ramp Gunner Seat

Selected for the CH-47 D/F



- Mounts on CH-47 Cargo Ramp
- Installs/removes in less than 30 seconds
- Compatible with HICHS, COOLS, and Ramp BPS
- Fully qualified to MIL-STD-810G environmental requirements
- Qualified for a full occupant range, small female to large combat equipped male



East/West, a woman-owned small business, was established in 1968 for the purpose of designing and manufacturing safer, more reliable, quality products for the US Government and the Aerospace Industry. Our outstanding performance has been recognized with awards by many of our customers.

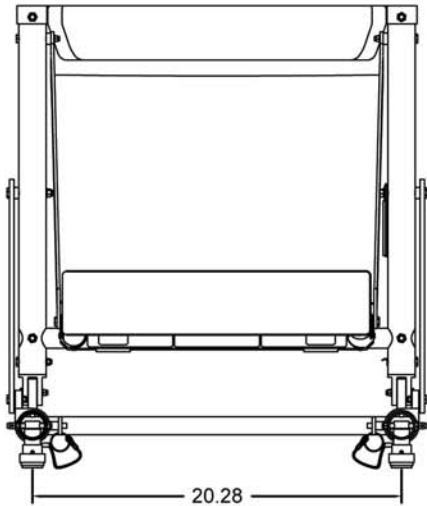
EAST/WEST
AN INNOVATIVE COMPANY

2002 Orville Drive North
Ronkonkoma, NY 11779
Tel: 631-981-5900 • Fax: 631-981-5990
info@eastwestindustries.com
www.eastwestindustries.com

AS9100 / ISO9001
CERTIFIED

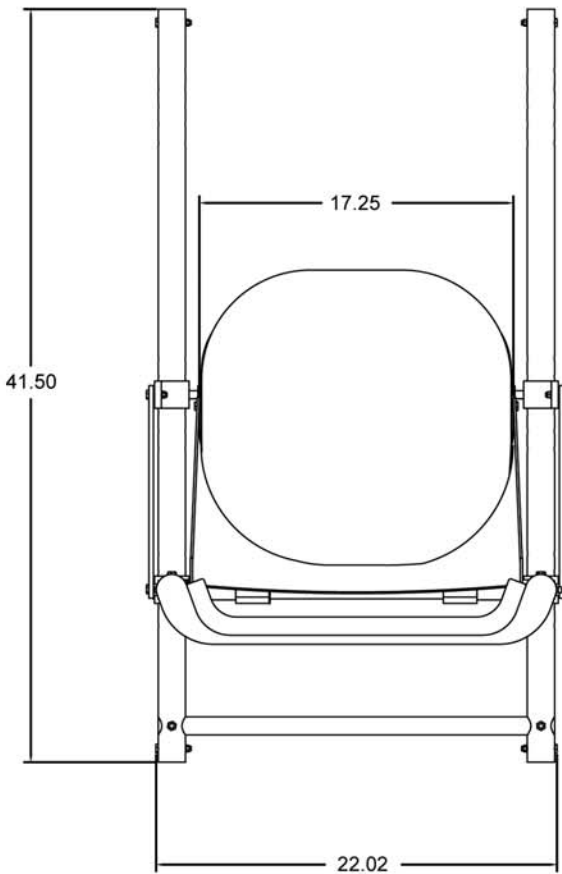
SINCE 1968, SAVING AIRCREW LIVES IS OUR FIRST CONCERN

DESIGN FEATURES



- Mounts aft facing on ramp
- Seat bottom adjustable fore/aft +/- 2 inches
- Recline adjustable 0-15° in 5° increments
- Stowable seat pan with retention strap (less than 5" deep)
- Fabric backrest provides optimum comfort while minimizing snag points
- Incorporated wrap-around cushion for maximum comfort
- Evaluated to provide minimum vibration transmissibility and optimize occupant comfort
- Meets FAA 25.853a flammability requirements
- Incorporates NVG compatible luminescent strip for night time operations

QUALIFICATION TESTING



- Fully qualified to MIL-STD 810G environmental and vibration requirements
- Qualified for the full occupant range
 - Small female (unequipped)
 - Large male (combat equipped)

