

MASTER CRANE®

AIRCRAFT / ROTORCRAFT HOISTING SYSTEM



FOR USE ON ALL AIRCRAFT - FIXED AND ROTARY WING



For the removal and installation of components such as:

- Ejection Seats
- Canopies / Windshields
- Vertical / Horizontal Stabilizers
- Wings / Control Surfaces
- Ammunition Drums, Cannon / Gun Assemblies
- Miscellaneous Components

PART NO. 259D300-5 CRANE, FLOOR, PORTABLE
T.O. 35DA3-6-36-11
T.O. 35DA3-6-41-1 (F-22)
CE and ATEX Certified

East/West, a woman-owned small business, was established in 1968 for the purpose of designing and manufacturing safer, more reliable, quality products for the US Government and the Aerospace Industry. Our outstanding performance has been recognized with awards by many of our customers.

EAST/WEST

AN INNOVATIVE COMPANY

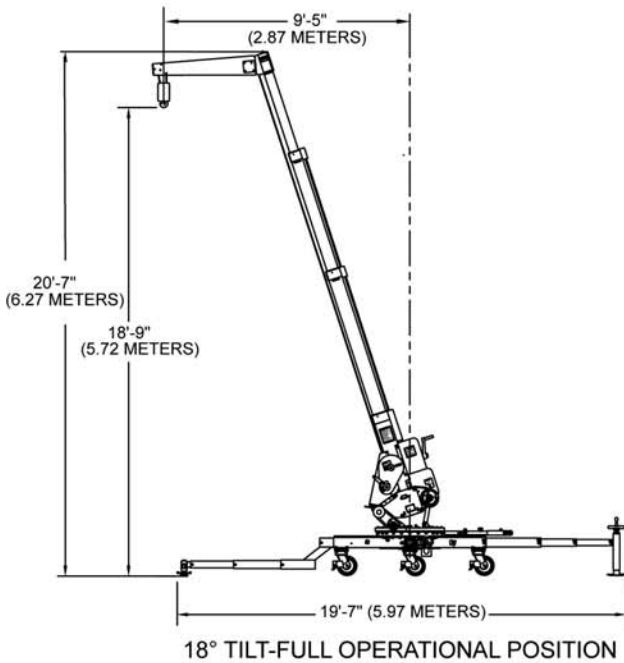
2002 Orville Drive North
Ronkonkoma, NY 11779
Tel: 631-981-5900 • Fax: 631-981-5990
info@eastwestindustries.com
www.eastwestindustries.com

AS9100 / ISO9001
CERTIFIED

SINCE 1968, SAVING AIRCREW LIVES IS OUR FIRST CONCERN

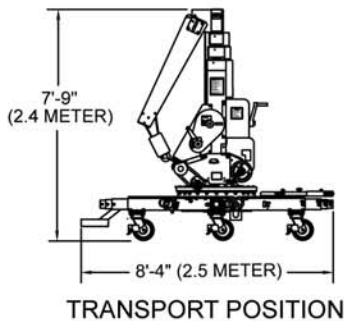
FEATURES

- REDUCES MAINTENANCE TIME AND COST
- AIR TRANSPORTABLE AND EASILY DEPLOYED
- FOR USE IN FIELD OR CONGESTED AREAS
- LOW PROFILE OUTRIGGER
- TOTAL MECHANICAL DESIGN
- LIGHTWEIGHT
- FOLDABLE
- PORTABLE
- RELIABLE
- TOWABLE UP TO 15 MPH (24 KM/H)
- EASILY MANEUVERED
- OPERATED BY ONE PERSON
- EASILY SET-UP FOR IMMEDIATE USE



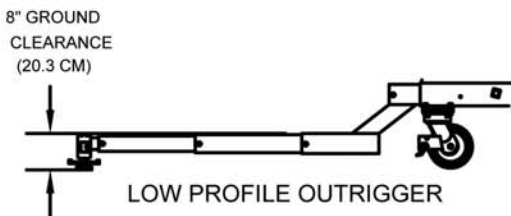
USAGE

- FOR ALL MAINTENANCE AND REPAIR
- DESIGNED FOR LOW GROUND CLEARANCE AIRCRAFT
- FOR ALL AIRCRAFT REPAIR AND MAINTENANCE
- UTILITY USE FOR HANGAR AND FIELD FUNCTIONS
- ALSO USABLE ON ROTARY WING AIRCRAFT



DESIGN PARAMETERS

- 360° BOOM ROTATION
- VARIABLE BOOM TILT ANGLE (0° TO 18°)
- VARIABLE BOOM HEIGHT (UP TO 21 FT. 10 IN.) (6.65 METERS)
- LIFTING CAPACITY OF 1,500 POUNDS
- LOW PROFILE LEG FOR LOW GROUND CLEARANCES
- FOD AND SHOCK RESISTANT SWIVEL LOCK CASTERS
- TIE DOWNS FOR AIR TRANSPORT AND SHIP STOWAGE
- MANUALLY OPERATED FOOT BRAKES
- TELESCOPING AND LOCKING OUTRIGGERS
- REDUNDANT CHAIN / SPROCKET MECHANISMS
- STOWABLE SCREW JACKS
- EXTERNAL WINCH



PART NUMBER 259D300-5
CRANE, FLOOR, PORTABLE

T.O. 35DA3-6-36-11
T.O. 35DA3-6-41-1 (F-22)

MASTER CRANE®

