

# CRASHWORTHY VIP SEAT

*Selected for the Bell 505 JRX Program*



- Bulkhead mounted seat: forward or aft facing
- Lightest weight design
- Patented Energy Attenuator protects full occupant range
- 4-point lift-latch restraint system
- Certified to FAA TSO C127a Type B
- Fully upholstered cushion



East/West, a woman-owned small business, was established in 1968 for the purpose of designing and manufacturing safer, more reliable, quality products for the US Government and the Aerospace Industry. Our outstanding performance has been recognized with awards by many of our customers.

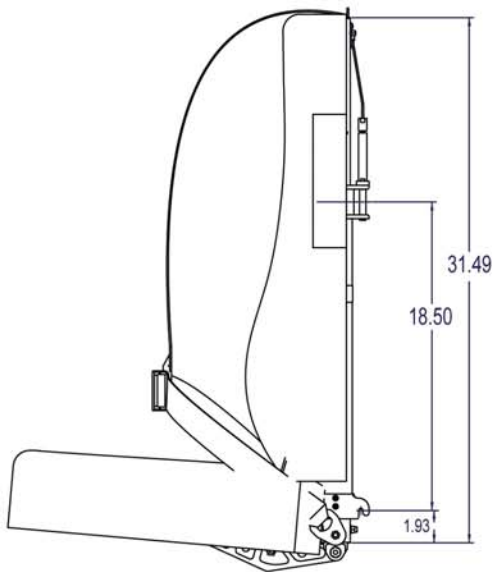
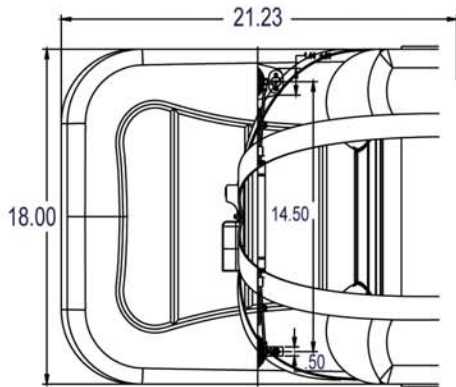
**EAST/WEST**  
AN INNOVATIVE COMPANY

2002 Orville Drive North  
Ronkonkoma, NY 11779  
Tel: 631-981-5900 • Fax: 631-981-5990  
info@eastwestindustries.com  
www.eastwestindustries.com

AS9100 / ISO9001  
CERTIFIED

**SINCE 1968, SAVING AIRCREW LIVES IS OUR FIRST CONCERN**

## DESIGN FEATURES



- Bulkhead mounted
- Certified for forward or aft facing
- Lightest weight design (21 lbs.)
- Patented Variable Load Energy Attenuation System (VLEAS) protects full occupant range
- 4-Point lift-latch restraint system
- Installs/removes with quick single-handle operation
- Designed to optimize occupant comfort
  - Wrap around seat bottom cushion and padded backrest
  - Evaluated to minimize vibration transmissibility
- Meets FAA 27.853a flammability requirements
- Luxor 2 leather covers available in black, grey, or tan
- Backrest includes inspection cover for stroke indicator

## QUALIFICATION TESTING

- Certified to FAA TSO C127a Type B
- Dynamically and statically qualified
  - 170 lb. occupant
  - Forward facing
  - Aft facing
- Structural Materials and Finishes compliant with MIL-STD-810

CRASHWORTHY VIP SEAT

