

# CRASH ATTENUATING CREW CHIEF SEAT SYSTEM *Installed on CH-53D/E & MH-53E*



- Aft facing seat on a floor mounted frame
- Patented Energy Attenuator needs no adjustment to protect 5<sup>th</sup> % female to 95<sup>th</sup> % equipped male occupants
- 4-Point rotary restraint with MA-16 inertia reel
- Fully qualified to MIL-STD-810F environmental requirements
- Dynamically and statically tested



East/West, a woman-owned small business, was established in 1968 for the purpose of designing and manufacturing safer, more reliable, quality products for the US Government and the Aerospace Industry. Our outstanding performance has been recognized with awards by many of our customers.

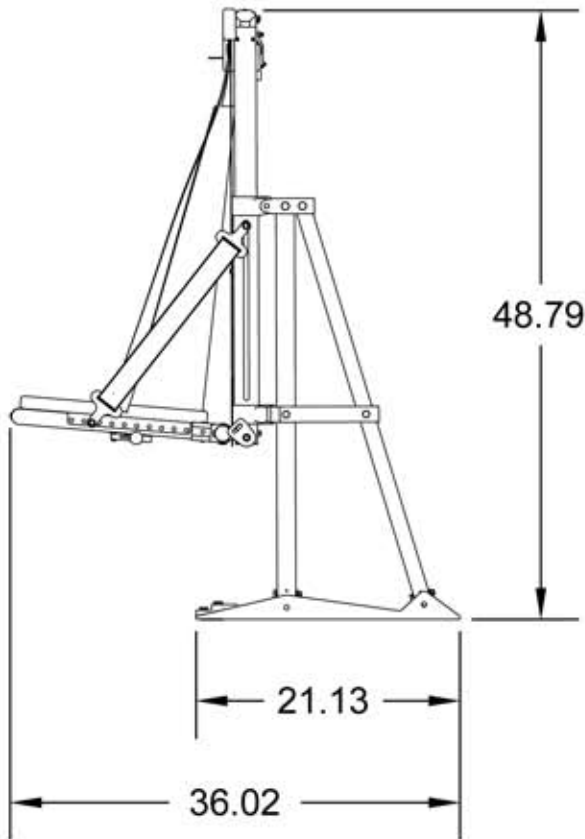
**EAST/WEST**  
AN INNOVATIVE COMPANY

80 Thirteenth Avenue  
Ronkonkoma, NY 11779  
Tel: 631-981-5900 • Fax: 631-981-5990  
info@eastwestindustries.com

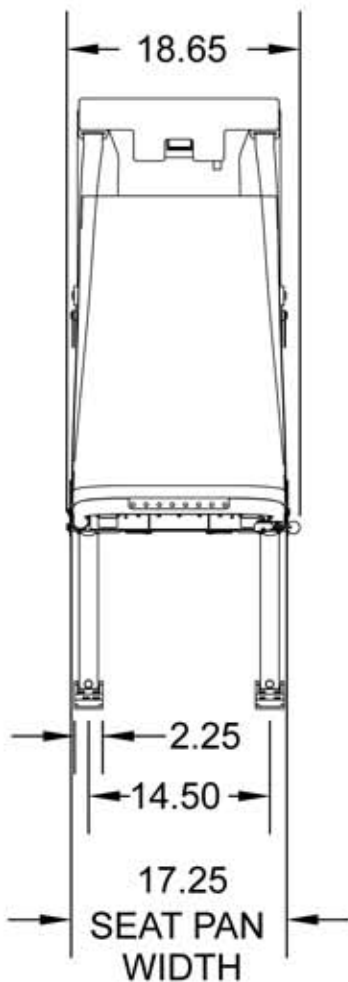
AS9100 / ISO9001  
CERTIFIED

*SINCE 1968, SAVING LIVES IS OUR FIRST CONCERN*

## DESIGN FEATURES



- Floor mounted aft facing seat
- System includes
  - Seat
  - Frame
  - A-Kit
- Patented Variable Load Energy Attenuation System (VLEAS) protects from the 5<sup>th</sup> % female to the 95<sup>th</sup> % male occupants, requiring no user input for optimum protection
- 4-Point rotary restraint with MA-16 inertia reel
- Quick release pins for quick installation and removal of seat and frame
- Frame is designed to rotate away from the bulkhead to allow access to the controls closet door
- Seat pan automatically stows with springs to clear egress path
- Fabric backrest provides optimum comfort while minimizing snag points
- Evaluated to optimize occupant comfort
- Seat pan cushion, backrest, & headrest cushion meets FAA 25.853a & b flammability requirements



## QUALIFICATION TESTING

- Fully qualified to MIL-STD 810F environmental requirements
- Dynamically and statically qualified for a full occupant range
- Seat dynamically and statically qualified for the full occupant range
  - Small female (unequipped)
  - Large male (combat equipped)