

# CRASHWORTHY UTILITY SEAT

*Selected for the Bell 505 JRX Program*



- Bulkhead mounted seat: fore or aft facing
- Lightest weight design
- Patented Energy Attenuator protects full occupant range
- 3-Point lift-latch restraint standard, 4-point restraint and other buckles available
- Certified to FAA TSO C127a Type B



East/West, a woman-owned small business, was established in 1968 for the purpose of designing and manufacturing safer, more reliable, quality products for the US Government and the Aerospace Industry. Our outstanding performance has been recognized with awards by many of our customers.

## EAST/WEST

AN INNOVATIVE COMPANY

80 Thirteenth Avenue  
Ronkonkoma, NY 11779  
Tel: 631-981-5900 • Fax: 631-981-5990  
info@eastwestindustries.com

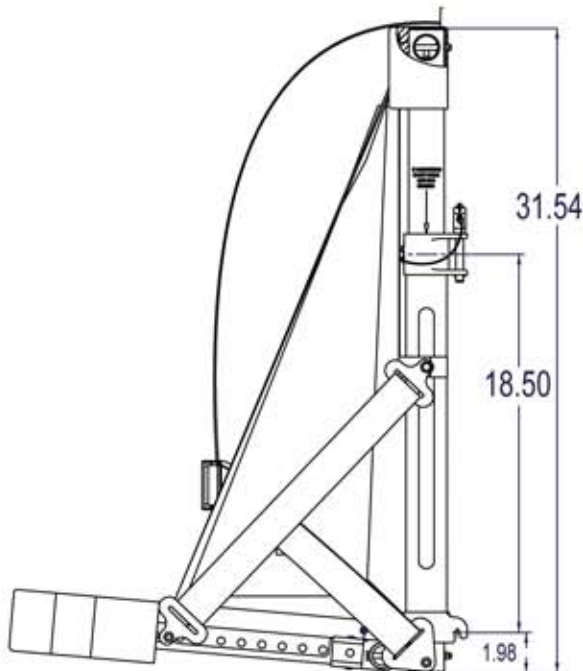
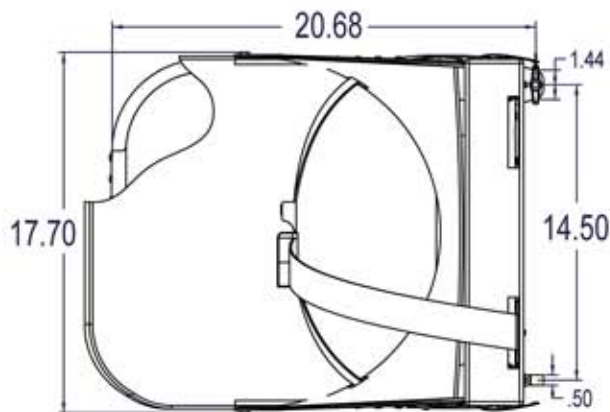
AS9100 / ISO9001  
CERTIFIED

*SINCE 1968, SAVING LIVES IS OUR FIRST CONCERN*



## DESIGN FEATURES

- Bulkhead mounted
- Certified for forward or aft facing
- Lightest weight design
- Patented Variable Load Energy Attenuation System (VLEAS) protects full occupant range
- 3-Point lift-latch restraint standard, 4-point restraint and other buckles available
- Installs/removes with two quick-release pins (less than 10 seconds)
- Stowable seat pan with retention strap (less than 6" deep)
- Fabric backrest provides optimum comfort while minimizing snag points
- 1" thick wrap around cushion for optimal comfort
- Evaluated to provide minimum vibration transmissibility and optimize occupant comfort
- Meets FAA 25.853a flammability requirements
- Cushion covers in black, other colors available upon request



## QUALIFICATION TESTING

- Certified to FAA TSO C127a Type B
- Dynamically and statically qualified
  - 170 lb. occupant
  - Forward facing
  - Aft facing
- Materials and Finishes are compliant with MIL-STD-810

CRASHWORTHY UTILITY SEAT

